


| | |
|--|---|
| CIRCULATE TO: | |
| SERVICE MGR. | X |
| RECEPTION | X |
| WORKSHOP | X |
| PARTS | X |
| MODEL Range Rover Discovery Defender | |

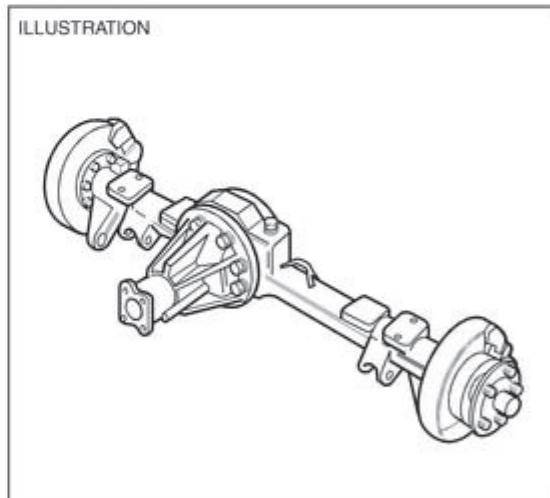
TECHNICAL INFORMATION



| | |
|--|---|
| SUBJECT | 03/12/93 |
| Axle Swivel and Hub Seals - New Part Information | 170/93/EN |
| AFFECTED VEHICLES |  |
| All derivatives from LH 632889 - LJ 045306 - LD925688 | |

| |
|--|
| <p>DETAIL</p> <p>To improve axle swivel and hub sealing a new range of seals have been introduced at the above VIN numbers. These seals are directly interchangeable with the previous parts.</p> <p>The information provided on seal FTC 3401 supersedes that provided on Technical Bulletin 083/93.</p> |
| <p>ACTION REQUIRED</p> <p>If the new type swivel/hub seals leak in service, please submit a Product Report accompanied by a copy of the illustration overleaf identifying the area of the leak. Should customers complain of leaks in this area fit the new seals.</p> |

| | |
|--------------------------|----------------------------|
| PARTS INFORMATION | |
| Swivel seal | FTC 3401 replaces FRC 2889 |
| Hub seal | FTC 2783 replaces FRC 8221 |
| Stub axle seal | FTC 3145 replaces FRC 0951 |



| |
|---|
| <p>PROCEDURE</p> <p>It must be noted that the new seals have changed orientation and the following guidelines should be followed:-</p> <p>Hub oil seal FTC 2783 must be fitted with the lip facing inwards ie. with the seal manufacturers name and seal part number facing the bearings. See illustration on following page.</p> <p>Stub axle oil seal FTC 3145 on front axle application must be fitted with the spring to the outside, see illustration on following page.</p> <p>Rear hub oil seal FTC 3145 must be fitted with the spring to the inside. See illustration on following page.</p> <p>Current Special tools for these seals remain unchanged.</p> |
|---|

| | |
|--|-------------------|
| WARRANTY | |
| Normal warranty policy and procedure applies. | |
| | COMP. CODE |
| Front swivel hub oil seal | 5H0N |
| Front hub seals | 5V3N |
| Rear hub seals | 5W3N |
| SRO | |
| Refer to the Service Operation Repair Manual for individual SRO times. | |

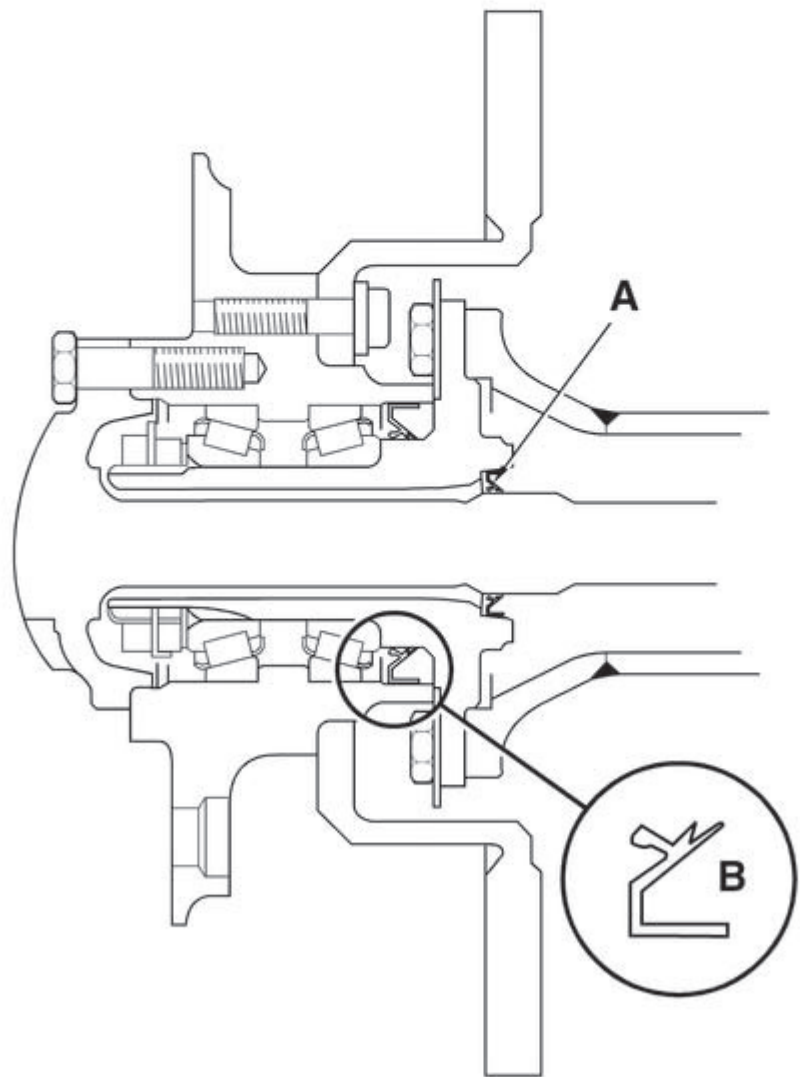
TECHNICAL INFORMATION



| | | |
|---|---|-----------------------|
| Page 2 of 3 | SUBJECT Axle Swivel and Hub Seals - New Part Information | 03/12/93 170/93/EN |
| MODEL Range Rover Discovery Defender | AFFECTED VEHICLES All derivatives from LH 632889 - LJ 045306 - LD925688 | |

REAR AXLE HUB ASSEMBLY

- A - Rear axle hub assembly - oil seal FTC 3145 fitted with spring inwards.
- B - Rear axle hub assembly - oil seal FTC 2783 (Springless type)



TECHNICAL INFORMATION



| | | |
|---|---|-----------------------|
| Page 3 of 3 | SUBJECT Axle Swivel and Hub Seals - New Part Information | 03/12/93 170/93/EN |
| MODEL Range Rover Discovery Defender | AFFECTED VEHICLES All derivatives from LH 632889 - LJ 045306 - LD925688 | |

FRONT AXLE HUB ASSEMBLY

- C - Front axle oil seal - FTC3145 fitted with spring outwards.
- D - Swivel housing oil seal - FTC 3401
- E - Front axle hub oil seal - FTC 2783 (Springless type)

